

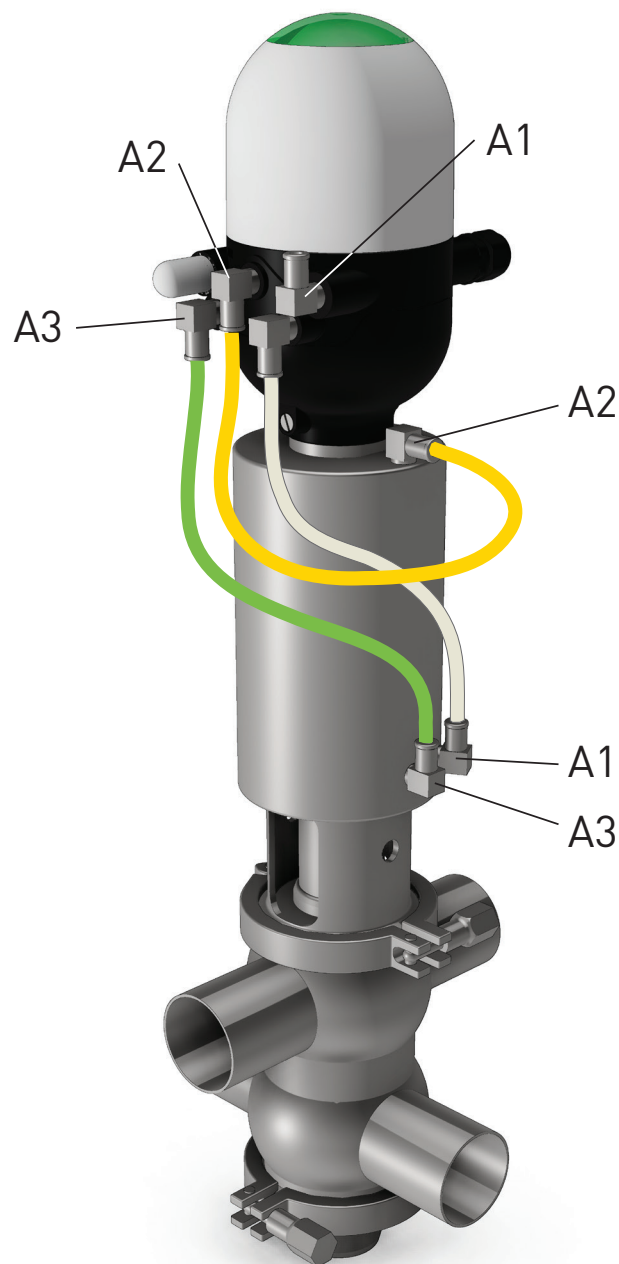
SÜDMO

AIR HOSE INSTRUCTIONS

Hyg. Double Seat Valve DSV Complete D624 with IntelliTop 2.0

INSTRUKTIONEN ZUR LUFTVERSCHLAUCHUNG

Hyg. Doppelsitzventil DSV Complete D624 mit IntelliTop 2.0



PENTAIR SÜDMO GMBH

INDUSTRIESTRASSE 7, 73469 RIESBÜRG GERMANY WWW.SUEDMO.DE

All Pentair trademarks and logos are owned by Pentair. All other brand or product names are trademarks or registered marks of their respective owners. Because we are continuously improving our products and services, Pentair reserves the right to change specifications without prior notice.

Pentair is an equal opportunity employer.

AIR HOSE INSTRUCTIONS EN/DE-01/17 © 2017 Pentair. All Rights Reserved.